

SCA10DR2

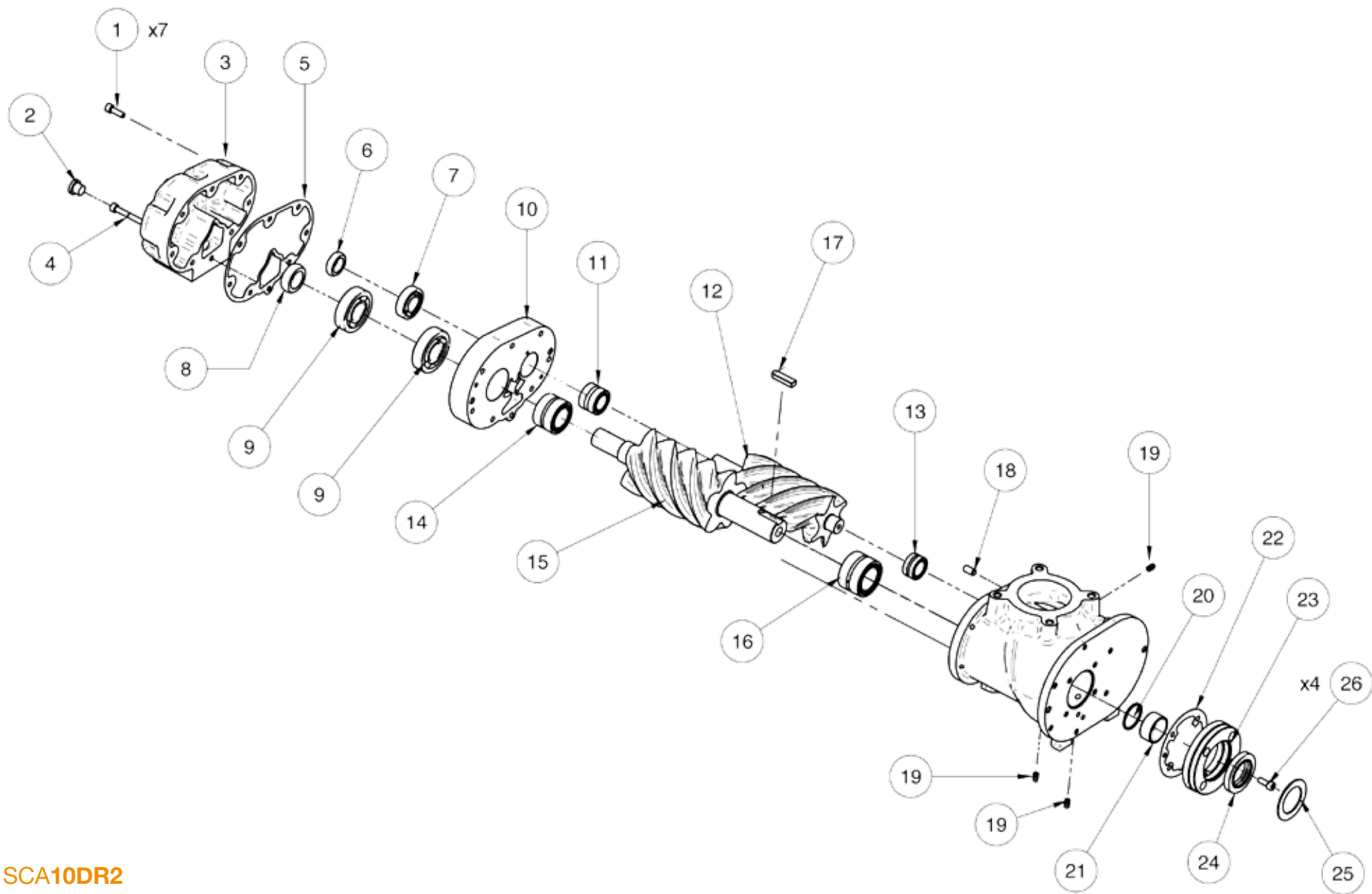
| CODE | AVAILABILITY | DESCRIPTION | QUANTITY | ITEM. | TAB. | UNIT PRICE € |
|------------|--------------|--|-----------|-----------|----------|--------------|
| 902910053 | S | SEAL COVER GASKET* | 1 | 22 | 1 | 0,89 |
| 902910045 | S | DELIVERY COVER GASKET* | 1 | 5 | 1 | 2,24 |
| 902910051 | S | SEAL RING COVER | 1 | 23 | 1 | 51,39 |
| 902903011 | S | SEAL SET | | | | 48,63 |
| | | <i>902910053 SEAL COVER GASKET</i> | <i>1</i> | <i>22</i> | <i>1</i> | |
| | | <i>902910026 INNER RING</i> | <i>1</i> | <i>21</i> | <i>1</i> | |
| | | <i>902910052 SEAL RING</i> | <i>1</i> | <i>24</i> | <i>1</i> | |
| | | <i>902910031 SPACER</i> | <i>1</i> | <i>20</i> | <i>1</i> | |
| | | <i>902910055 PROTECTION DISC</i> | <i>1</i> | <i>25</i> | <i>1</i> | |
| 902903000 | S | THRUST BEARING SET | | | | 101,26 |
| | | <i>902910007 THRUST BEARING</i> | <i>2</i> | <i>9</i> | <i>1</i> | |
| | | <i>902910008 THRUST BEARING</i> | <i>1</i> | <i>7</i> | <i>1</i> | |
| 902903004 | S | JOURNAL BEARING SET | | | | 160,40 |
| | | <i>902910009 JOURNAL BEARING</i> | <i>1</i> | <i>11</i> | <i>1</i> | |
| | | <i>902910010 JOURNAL BEARING</i> | <i>1</i> | <i>14</i> | <i>1</i> | |
| | | <i>902910011 JOURNAL BEARING</i> | <i>1</i> | <i>16</i> | <i>1</i> | |
| | | <i>889510009 JOURNAL BEARING</i> | <i>1</i> | <i>13</i> | <i>1</i> | |
| 902903002 | S | THRUST COLLAR SET | | | | 22,38 |
| | | <i>902910044 THRUST COLLAR Z5</i> | <i>1</i> | <i>8</i> | <i>1</i> | |
| | | <i>889510049 THRUST COLLAR Z6</i> | <i>1</i> | <i>6</i> | <i>1</i> | |
| 1018803003 | S | GASKETS SET | | | | 31,29 |
| | | <i>902910053 SEAL COVER GASKET</i> | <i>10</i> | <i>22</i> | <i>1</i> | |
| | | <i>902910045 DELIVERY COVER GASKET</i> | <i>10</i> | <i>5</i> | <i>1</i> | |

* MINIMUM ORDER 20 PIECES

**CALL ABOUT AVAILABILITY

SPECIAL TOOLS**

| CODE | AVAILABILITY | DESCRIPTION | QUANTITY | ITEM. | TAB. | UNIT PRICE € |
|------------|--------------|------------------------|----------|-------|------|--------------|
| ATA10D0003 | N | SEAL PILOT BOSS | 1 | Pag | MTI | 61,7746 |
| ATA10D0004 | N | SEAL PUSHER | 1 | Pag | MTI | 42,6166 |
| ATA10D0006 | N | PROTECTION DISC PUSHER | 1 | Pag | MTI | 51,6082 |



SCA10DR2
TABLE 1/1