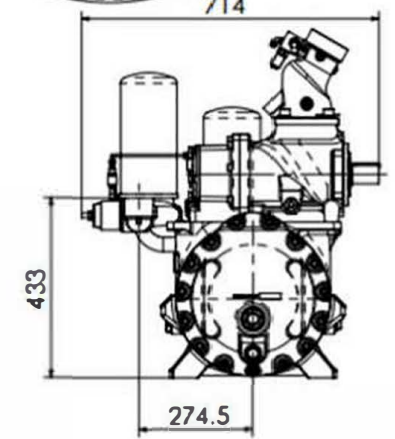
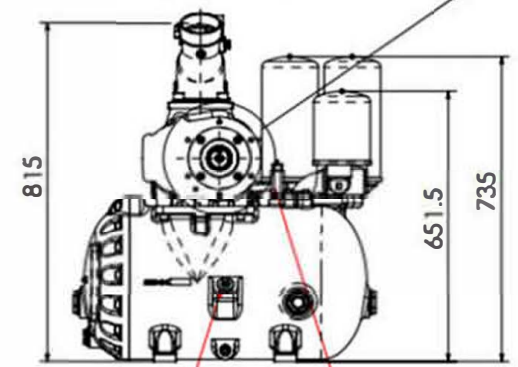
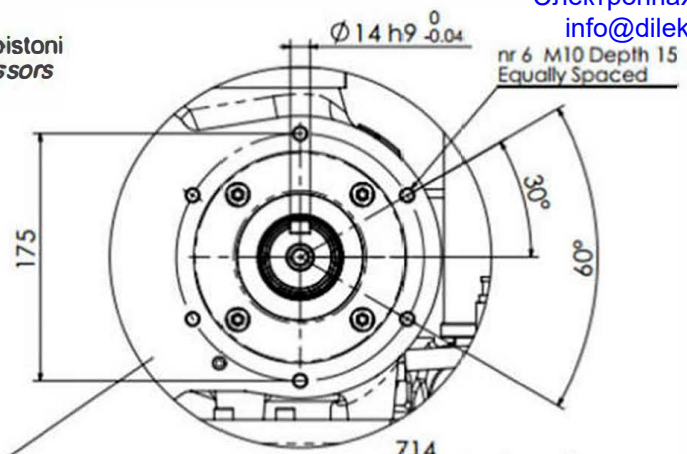
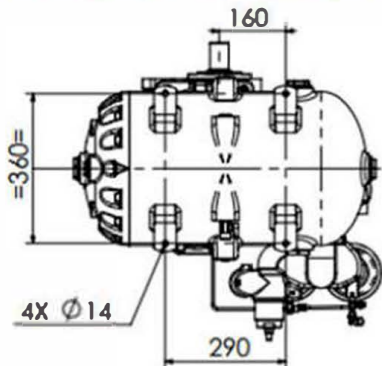
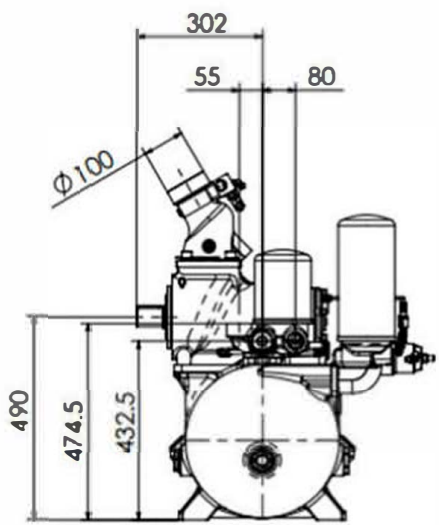
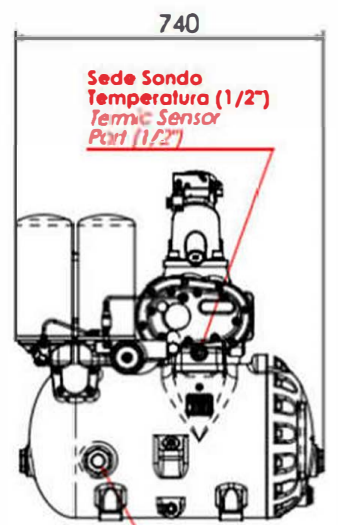




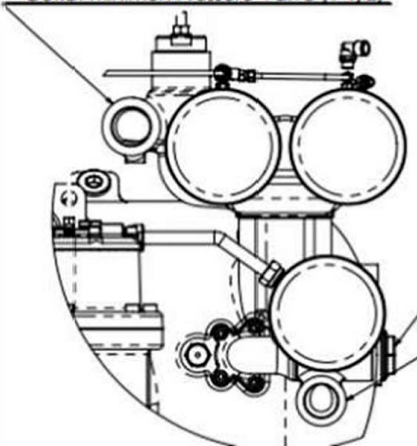
U.S. units system
The showed dimensions are in mm
Le quote mostrate sono in mm

Valvole brevettate per compressori rotativi a vite e a pistoni
Patented valves for piston and screw rotary compressors

Packsmart V130C RB80



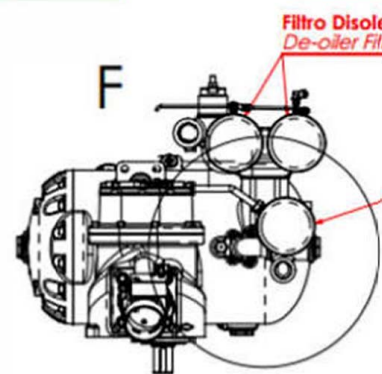
B: Uscita Valvola di Minima (1-1/2")
Outlet Minimum Pressure Valve (1-1/2")



DETTAGLIO F
SCALA 2 : 17

R: Ritorno dal radiatore (1-1/4")
Return from the cooler (1-1/4")

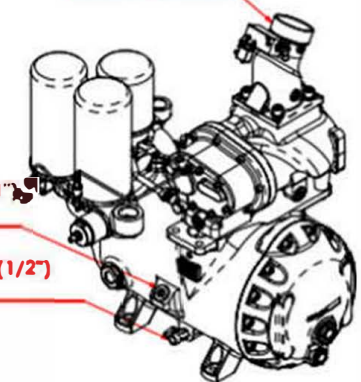
U: Uscita Valvola Termostatica (1-1/4")
Outlet Thermostatic Valve (1-1/4")



Filtro Olio
Oil Filter

Tappo rabbocco olio (1")
Filling Oil Cap (1")

Rubinetto Scarico Olio (1/2")
Oil Drain Plug (1/2")

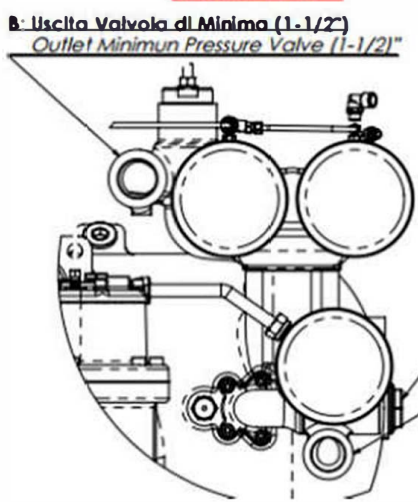
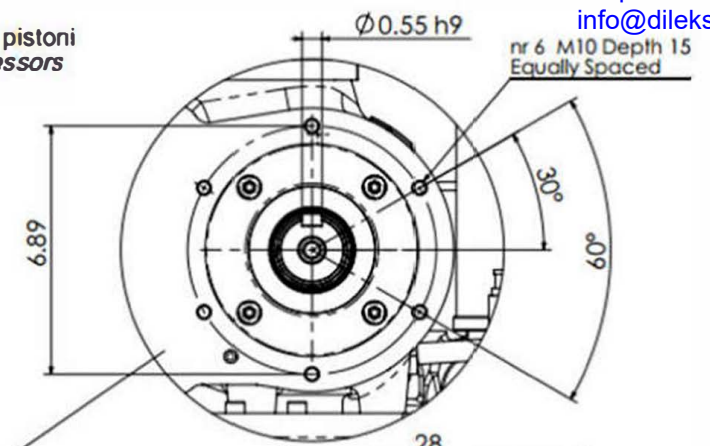
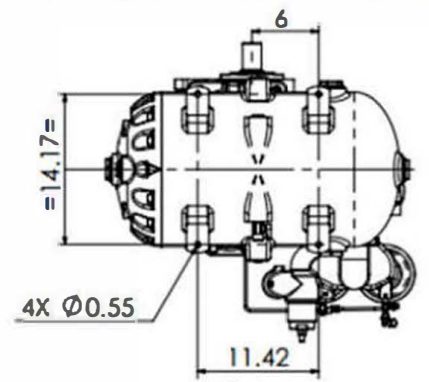
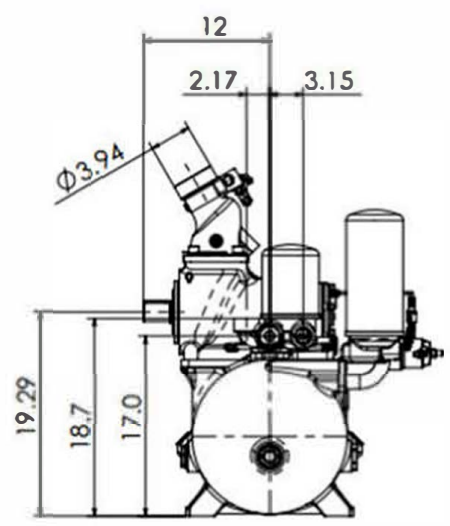
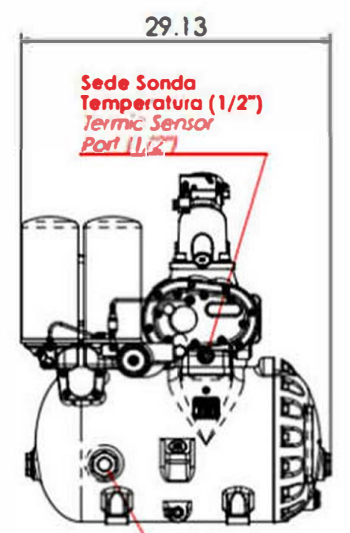




U.S. units system
The showed dimensions are in inch
Le quote mostrate sono in pollici

Valvole brevettate per compressori rotativi a vite e a pistoni
Patented valves for piston and screw rotary compressors

Packsmart V130C RB80



DETAIL H
SCALE 2:17

